

BDM[®]-WVGA



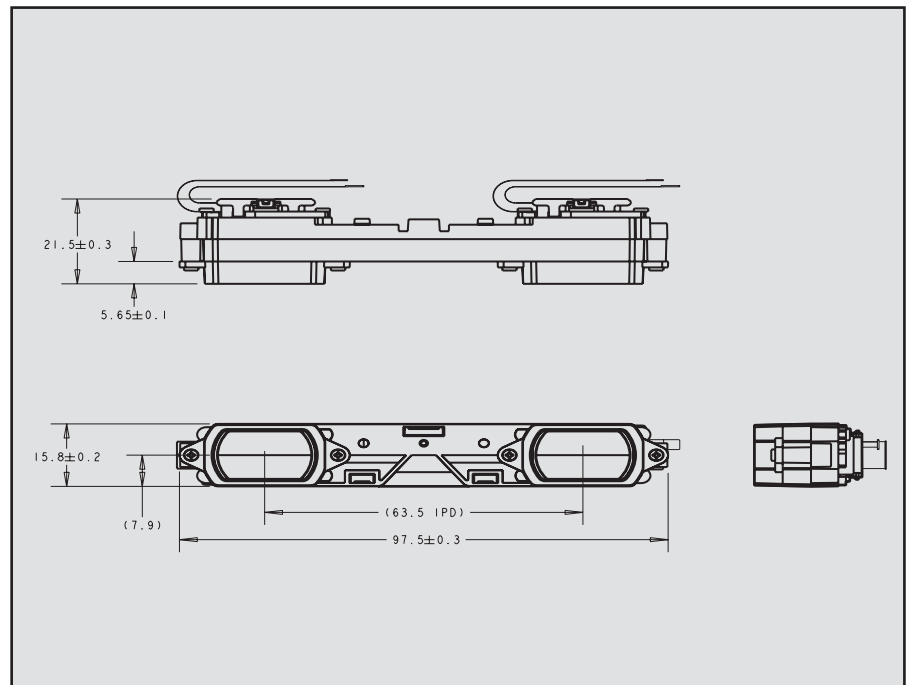
FEATURES

- Fully integrated with Kopin CyberDisplay[®] WVGA LVD color displays, backlights and lenses
- WVGA resolution (854x480)
- Large image size (42" diagonal at 6 1/2 foot distance)
- High-quality optics
 - 30 degree field of view
 - 18 mm eye relief
 - 6 mm exit pupil
- 63.5 mm interpupillary distance (IPD)
- Compact size (95.9 mm x 15.8 mm x 21.8 mm)
- Lightweight (16 g)

Speed up your eyewear development with Kopin's BDM-WVGA, which delivers a large (42" diagonal at 6 1/2 foot distance), crisp image for mobile video. This light-weight, compact module is ready to incorporate into your own eyewear design with minimal effort. The module integrates two CyberDisplay WVGA LVD color filter displays, LED backlights and a pair of pre-aligned high-quality lenses.

The BDM-WVGA can be driven by the A913 controller IC.

MECHANICAL OUTLINE



Display Marketing
Tel: 508-870-5959 Fax: 508-870-0660

Hong Kong
Tel: 852-2607-4151 Fax: 852-2607-4156

Japan
Tel: 81-3-5352-3549 Fax: 81-3-5322-2929

cyberdisplay@kopin.com

*Specifications subject to change without notice
Rev. 2