

White Pearl™ Display Module



MODULE FEATURES

Image

Resolution: 428 x 240 (WQVGA)
 Contrast Ratio 100 : 1 (Typ)
 FOV: 14.5 degrees diagonal

Optics

Eye Relief: 22.5mm
 Eye Box: 8 x 5 mm
 Distortion: < 0.5%

Brightness

1000 nits @ 10 mA to Backlight
 1800 nits @ 20 mA to Backlight

Mechanical

Dimension: 28.3 x 12.9 x 8 mm
 Weight: 1.9g

Drive Electronics

A230 Low-Power ASIC
 with Frame Buffer Memory

Power Consumption

(Display + BL + ASIC)
 <100 mW at 1000 nits
 <150 mW at 2000 nits

Display Marketing

Tel: 508-870-5959 Fax: 508-870-0660

Hong Kong

Tel: 852-2607-4151 Fax: 852-2607-4156

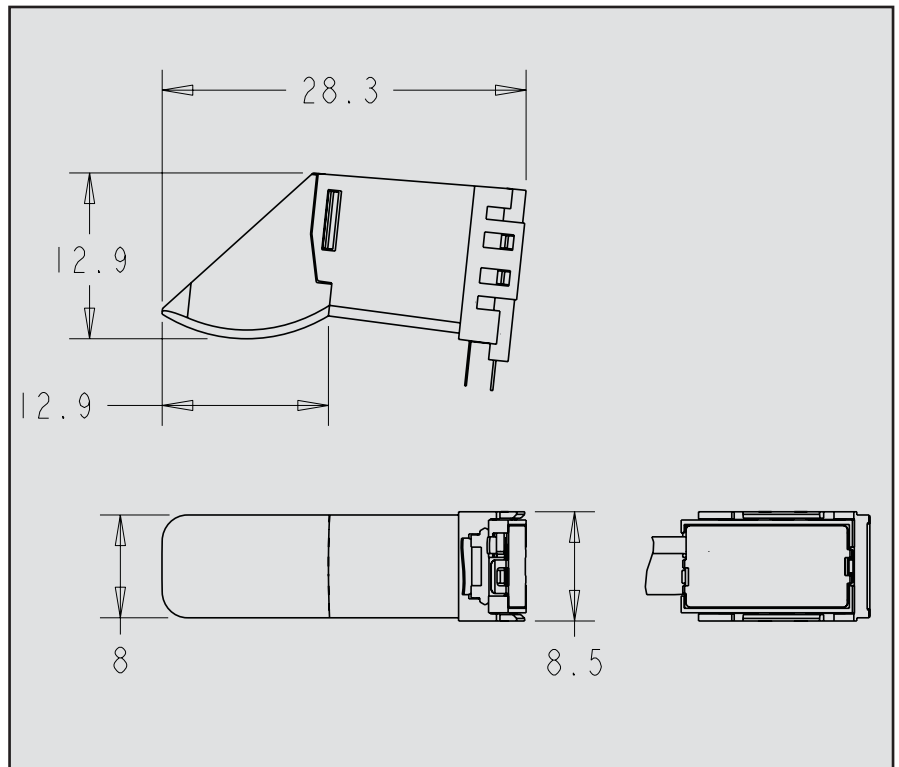
Japan

Tel: 81-3-5352-3549 Fax: 81-3-5322-2929

cyberdisplay@kopin.com

White Pearl™ is a compact Display Module aimed for emerging wearable computing / communication devices. Integrating a transmissive LCD (428x240 resolution in 0.20" diagonal), efficient backlight and curved prism optics with nano-structures, White Pearl provides a bright full-color image with less than 0.5% distortion in a 14.5-deg field of view and comfortably large eye box (8 x 5 mm) and eye relief (22.5 mm). White Pearl and Kopin's A230 display driver ASIC together consume less than 100 mW at display brightness of 1000 nits, sufficient for outdoor usage. A frame buffer memory residing in the ASIC offers further save system power savings.

MECHANICAL DRAWING



*Specifications subject to change without notice
 Rev. 1